

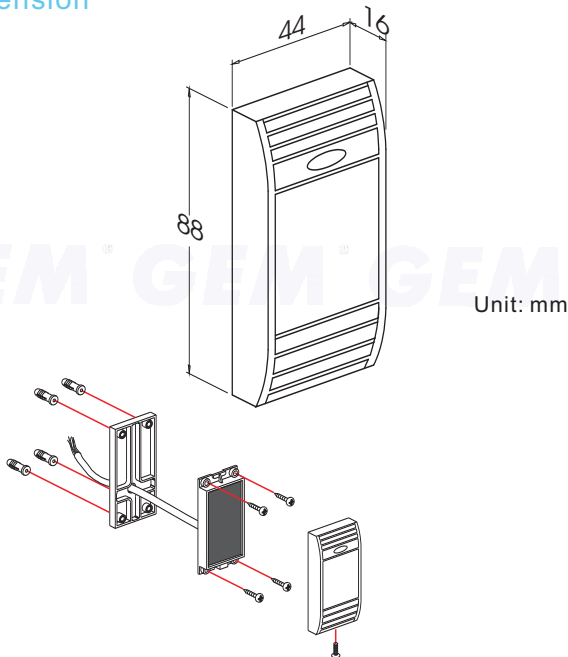


## Statement

Unobtrusive and stylish slim design can be mounted directly onto metal such as door mullions, GEMPROX Proximity Reader is suited for a remote locations when used in conjunction with an on-line system. Sealed with potting compound to withstand harsh environments providing reliable performance and high degree of vandal resistance.

GEMPROX Proximity Reader features for reading any compatible cards serial number. It supports Wiegand 26-bits or 26~37 bits output interfaces with all existing Wiegand protocol access control system Wiegand. The Green LED flashes and the beeper sounds when a proximity card is presented to the reader. The bi-color LED and beeper can also be controlled individually by the host system.

## Dimension



## Specifications

### GEMPROX-26M

13.56 MHz RF frequency has being the main trend for high security access control integration nowadays and the future, **GEMPROX-26M** Proximity Reader unit is compatible with. Mifare card provides a unique 32 bits serial number for each card, and reader Ignoring that store up "KEY" transportation from manufacturers,

- Operating Voltage: 7~12 Vdc
- Current Draw: Average 70mA, Peak 110mA @ 12Vdc
- Transmitting Frequenc: 13.56 MHz Mifare S50 compatible
- Code Processing: Check card serial number reading only
- Output Format: Wiegand 26-bit hexadecimal
- Read Range: 4cm )Depending on local installation conditions(
- Cable: 6 conductor (#24 AWG) stranded with shield for Typical Wiegand installation

### GEMPROX-H

- Operating Voltage: 8~12 Vdc
- Current Draw: Average 50mA, Peak 60mA @ 12Vdc
- Transmitting Frequency : 125 KHz
- Card Verifies and Code Processing: Check Facility code only accept any ID
- Output Format: Wiegand 26~37-bit hexadecimal
- Read Range: 6 cm )Depending on local installation Conditions)
- Cable: 6 conductor (#24 AWG) stranded with shield for typical Wiegand installation

### GEMPROX-E

- Operating Voltage: 12 Vdc
- Current Draw: Average 50mA, Peak 70mA @ 12Vdc
- Transmitting Frequency : 125KHz (EM-400x compatible)
- Output Format: Wiegand 26-bit hexadecimal
- Read Range: 8 cm )Depending on local installation conditions(
- Cable: 7 conductor (#24 AWG) stranded with shield for Typical Wiegand installation

## Warranty

The product is warranted against defects in material and workmanship while used in normal service for a period of 1 year from the date of sale to the original customer. The GEM policy is one of continual development and improvement; therefore GEM reserves the right to change specifications without notice.

## GIANNI INDUSTRIES, INC.

No. 13, Zhong Sing Road, Tu-Cheng Industrial Zone,  
 Tu-Cheng City, Taipei, Taiwan 23678  
 Tel: 886-2 2267 7986 / Fax: 886-2 2267 9876  
 E-Mail: info@gianni.com.tw  
 Website: gianni.tw  
 Copyright 2008 Gianni industries, inc. All rights reserved.  
 DM-CA-GEMPROX Ver. E Published on 2008.07.30



The products are manufactured under an ISO 9001 & QC 080000 Certified Quality Management Program environment back its product quality, performance and commitment to customer satisfaction.